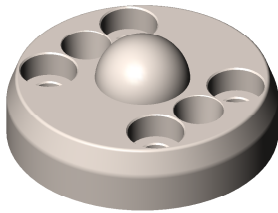
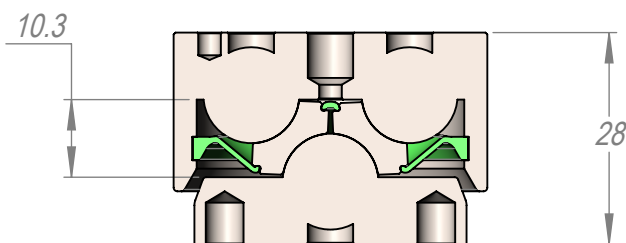
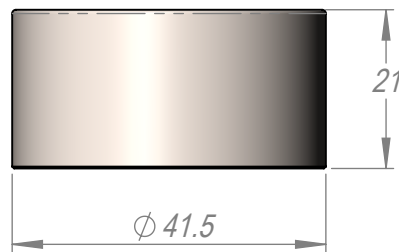
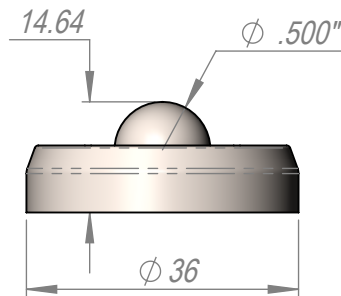
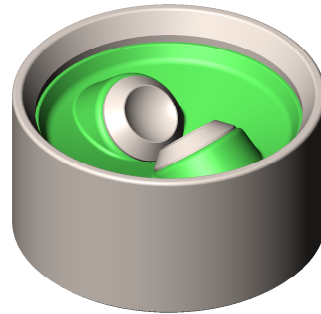


- 1) Calculated Hertzian yield: 5000 kgf
- 2) Recommended max Static load: 2000 kgf

CBLK



VBLK

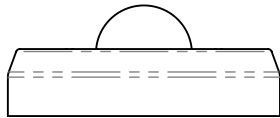
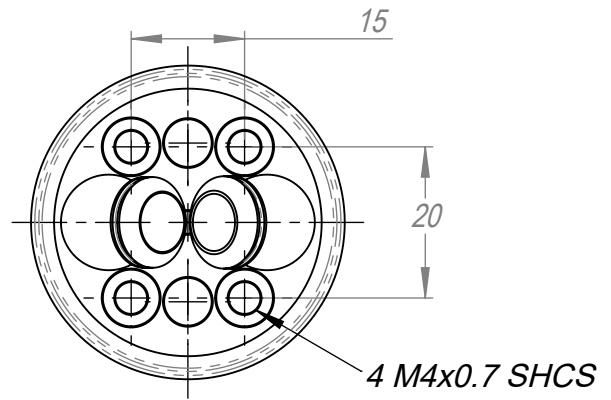
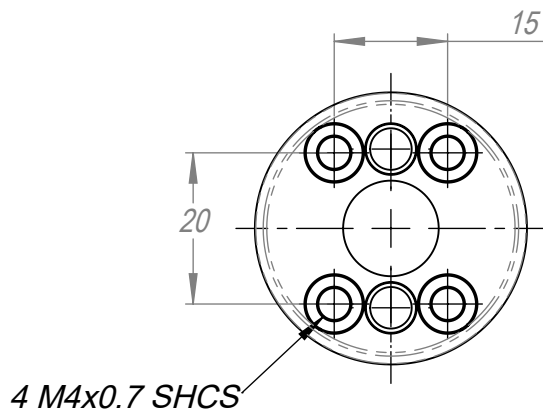


Max Travel +/- 1 mm

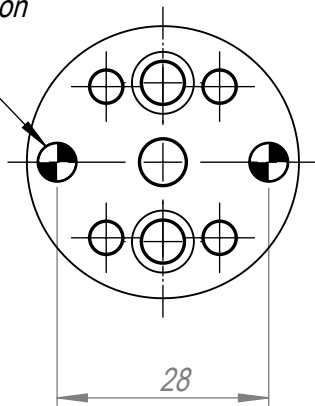
mm

© g2 Engineering 2007

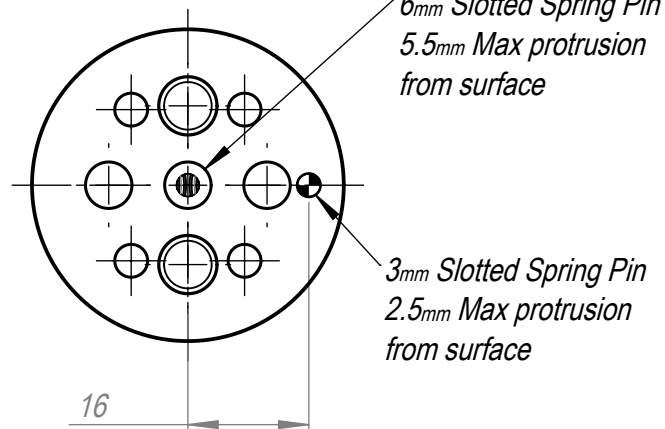
		DRAWN		g2 Engineering 16991 McGill Road Saratoga CA 95070 Phone: 650-605-4500 Fax: 650-887-2332	
		ENGR.			
		RE			
		APVD			
		APVD			
		APVD			
		APVD		TITLE	
				MKM-0500-Pack	
		Project Rev. 000		Part Rev. 0	
		Drawing Rev. 0.00			
MATERIAL All Bearings Elements 440c 58-60Rc		DATE Tuesday, August 9, 2016 6:43:35 PM		SIZE A	
SURFACE TREATMENT		SCALE FULL		DWG. NO. MKM-0500 Pack	
		WEIGHT		SHEET 1 OF 2	



5mm Slotted Spring Pin
5 mm Max protrusion
from surface



6mm Slotted Spring Pin
5.5mm Max protrusion
from surface



mm

© g2 Engineering 2007

ENGR.

APVD

APVD

APVD

APVD

g2 Engineering

16991 McGill Road
Saratoga CA 95070
Phone: 650-605-4500
Fax: 650-887-2332

TITLE

MKM-0500-Pack

Project Rev. 000

Part Rev. 0

Drawing Rev. 0.00

MATERIAL All Bearings Elements 440c 58-60Rc

DATE Tuesday, August 9, 2016 6:43:35 PM

SIZE A

DWG. NO. MKM-0500 Pack

SURFACE TREATMENT

SCALE

FULL

WEIGHT

SHEET 2 OF 2